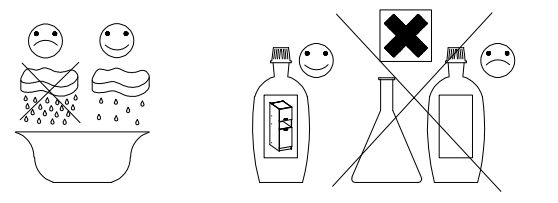
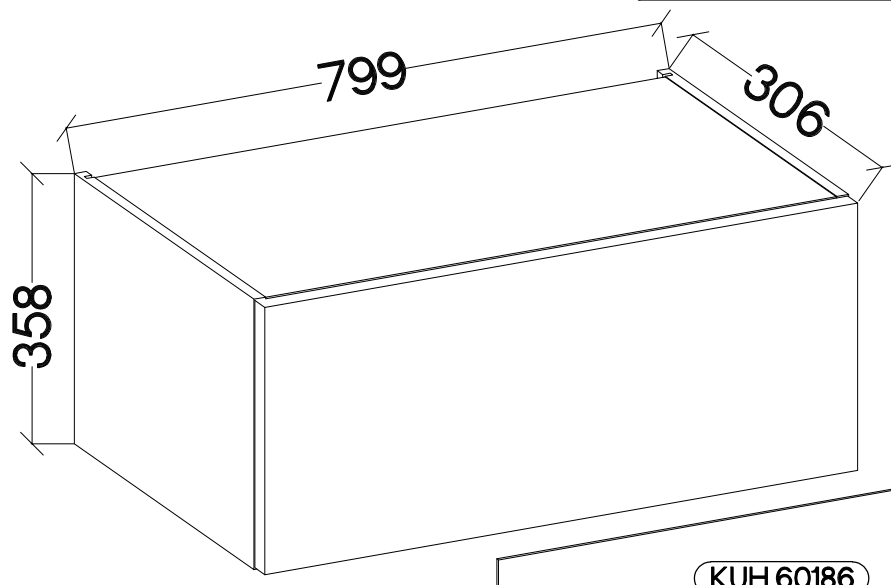
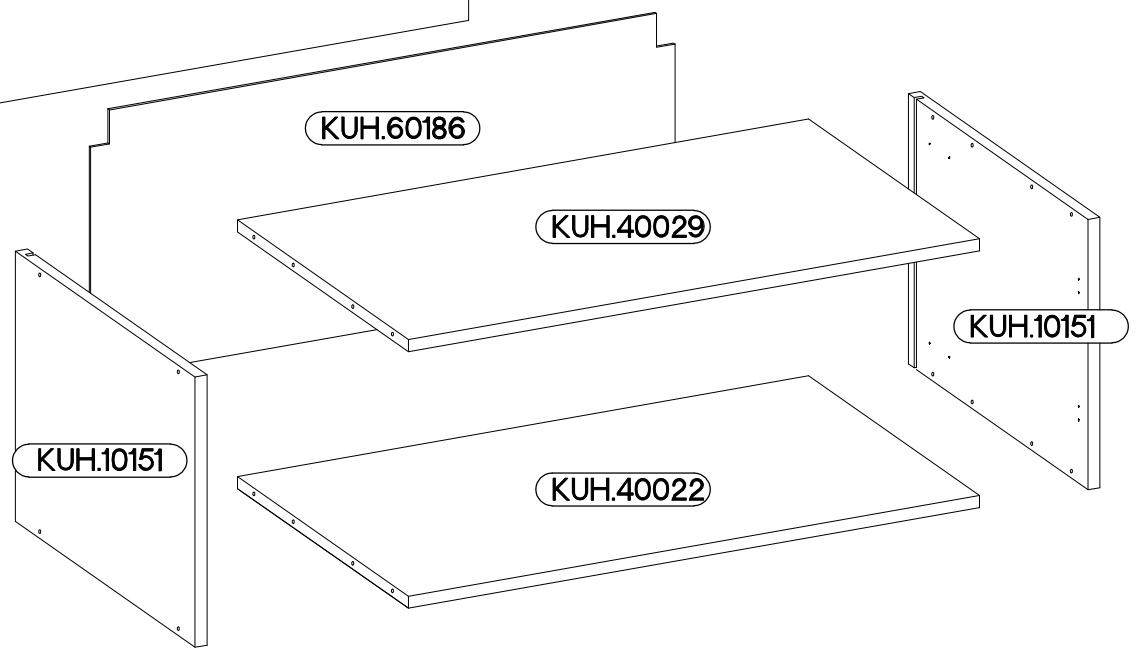
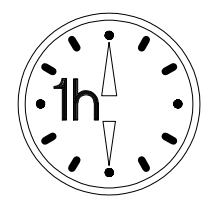


80 GU-36

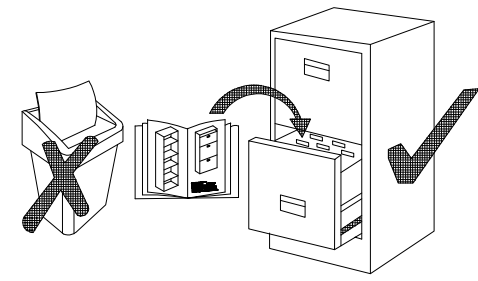


KUH.40022



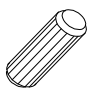
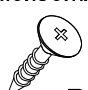
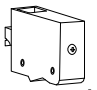
Ersatzteil Nummer	Dimension
KUH.10151 x2	358x290x16
KUH.40022	767x276x16
KUH.40029	767x276x16
KUH.60186	353x785x2,5

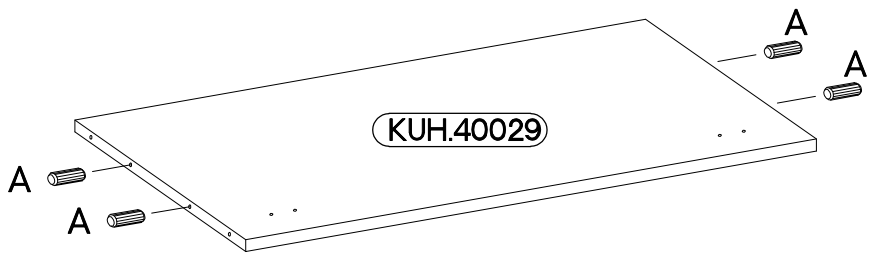
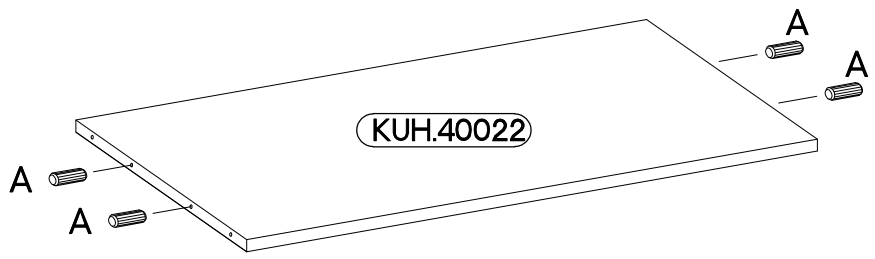
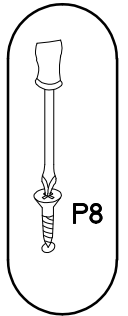
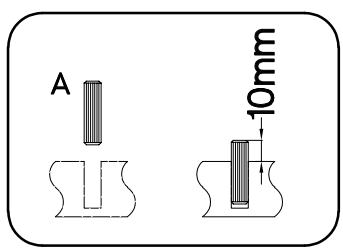
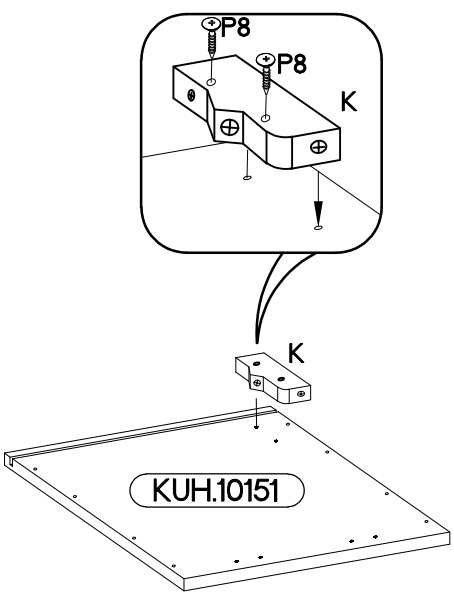
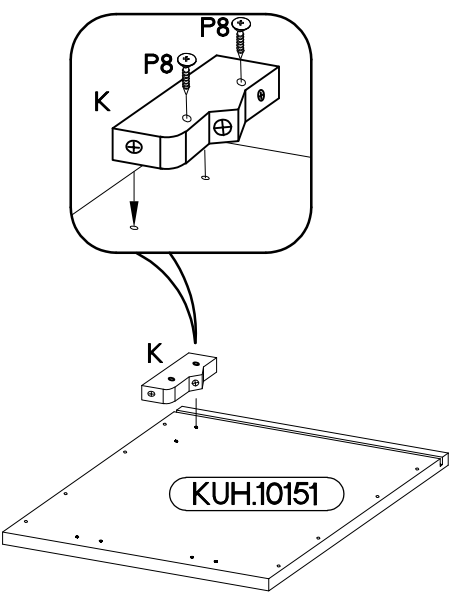
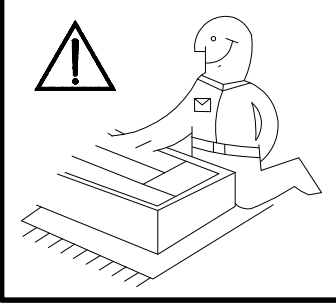
$\pm 8 \times 30 \text{mm}$ A 8	$6,4 \times 50 \text{mm}$ B 8	E1 8	$\pm 35/0 \text{mm}$ [CD] HG 2	K 2
K24 2	O 1	$\pm 3,5 \times 13 \text{mm}$ P5 4	$\pm 3,0 \times 20 \text{mm}$ P7 8-10	$\pm 4,0 \times 30 \text{mm}$ P8 4



ISM-KUH-02184

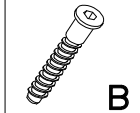
1

 +8x30mm A	 +4.0x30mm P8	 K
8	4	2



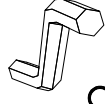
2

6,4 x 50mm



B

4



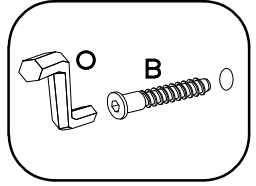
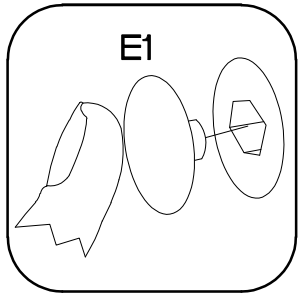
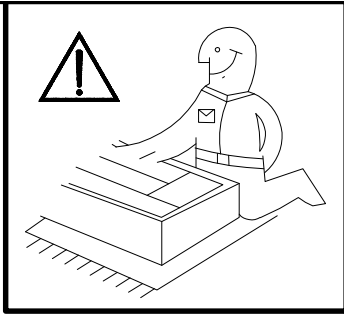
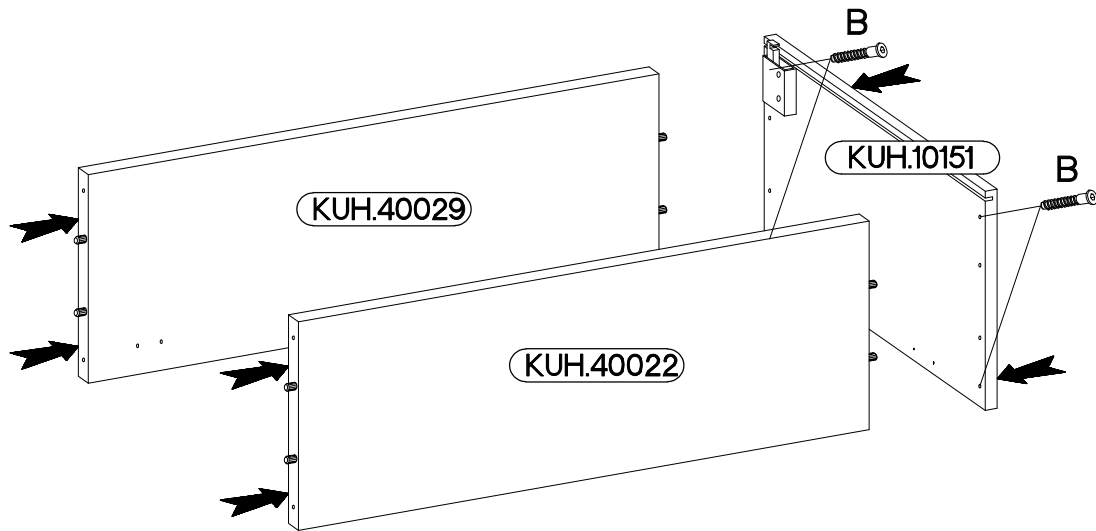
O

1



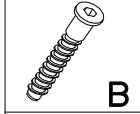
E1

4



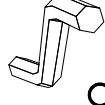
3

6,4 x 50mm



B

4



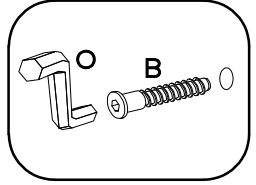
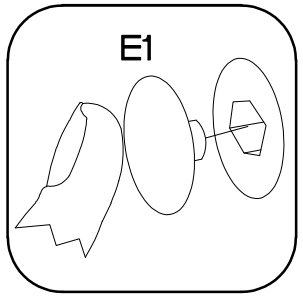
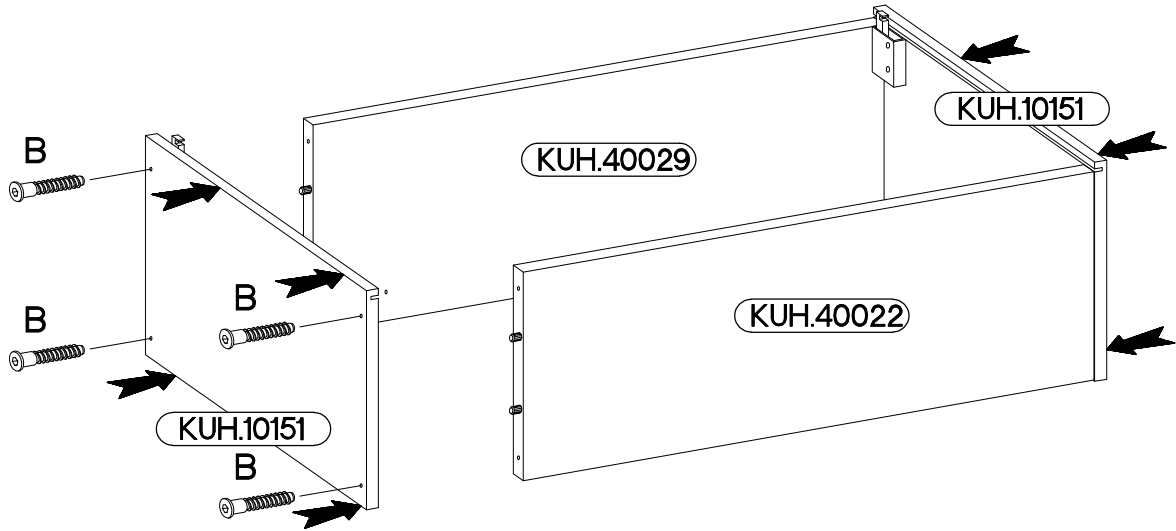
O

1

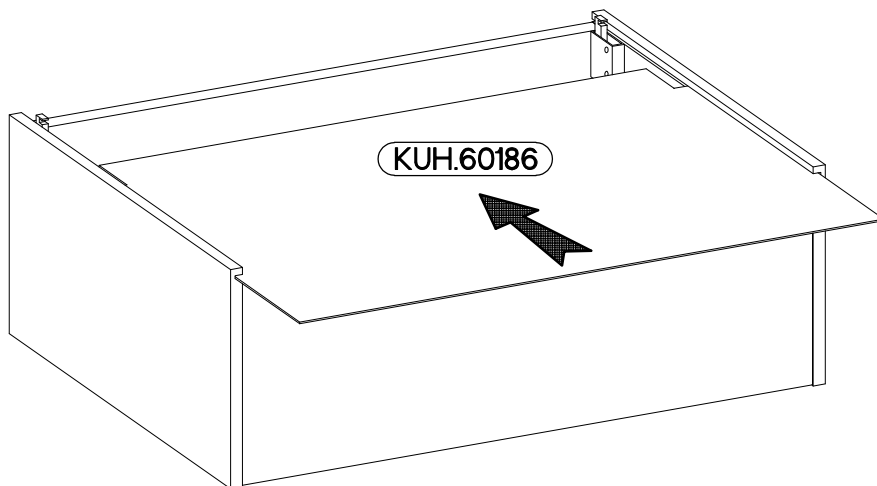
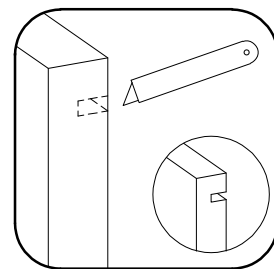
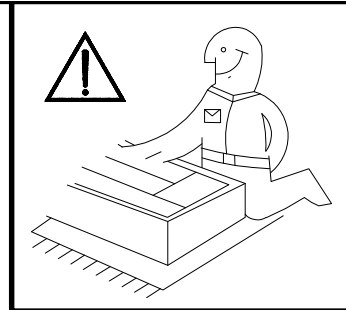
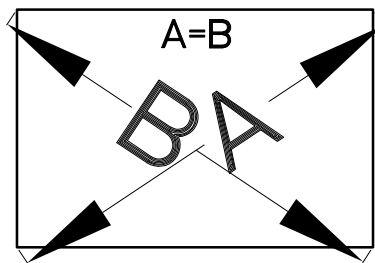


E1


4

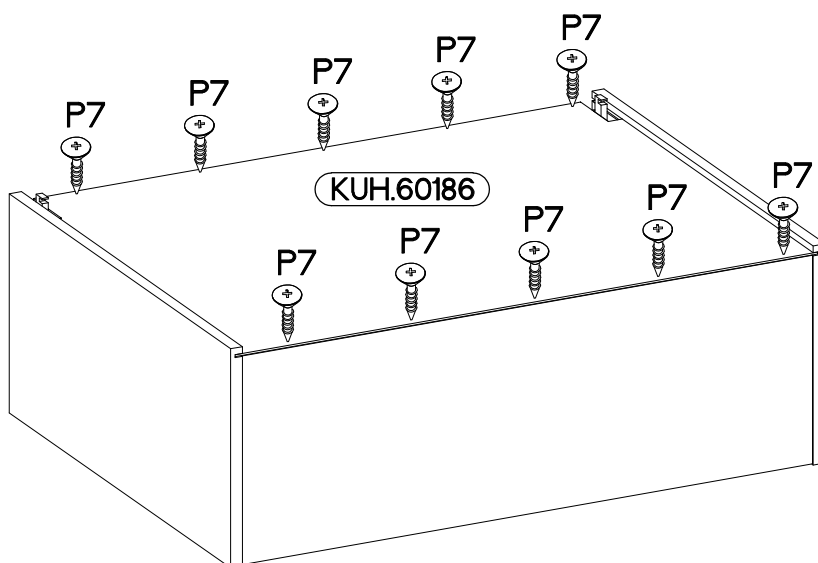
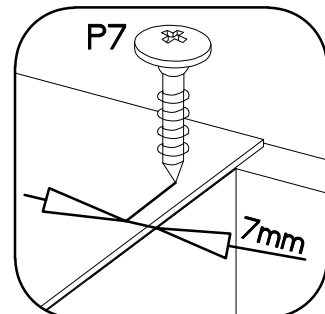
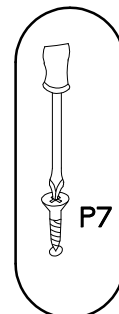


4



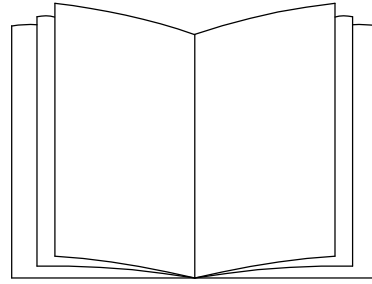
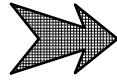
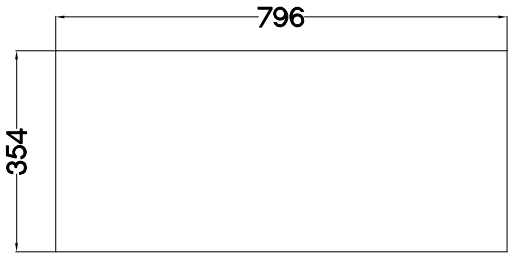
5

±3.0x20mm

 P7
 8-10

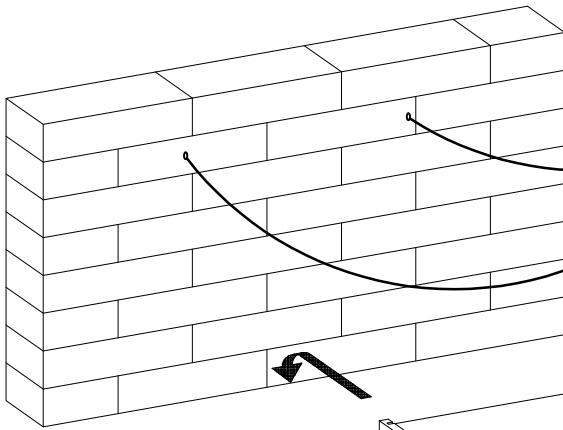


6

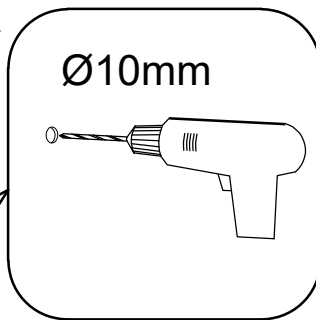
FRONT



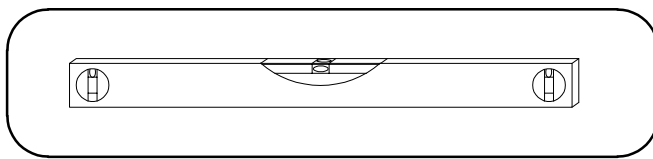
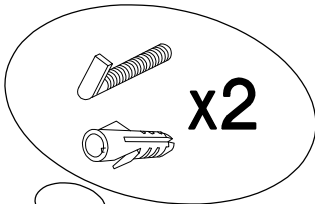
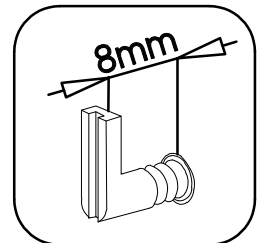
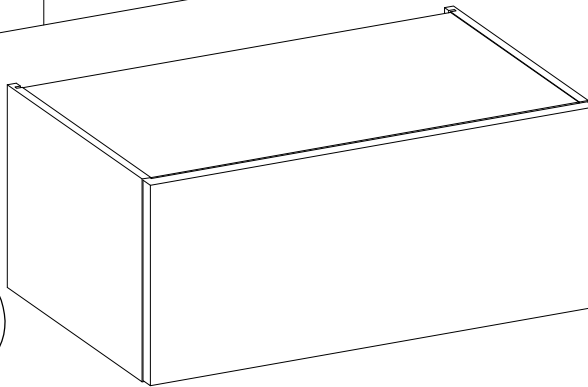
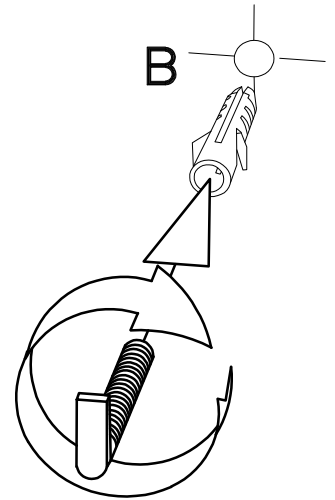
7



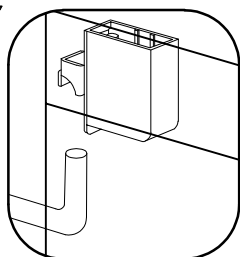
A



B



C



D

